

### DESCRIPTION

The HY-WM1WP is used exclusively to mount the HX-5 series speaker system to a wall or ceiling. This bracket permits the speaker to be tilted downward up to 20° from the horizontal when the speaker is mounted on a wall, or tilted up to 20° from the vertical when the speaker is mounted on a ceiling. This bracket is designed for under-eave use.

### SPECIFICATIONS

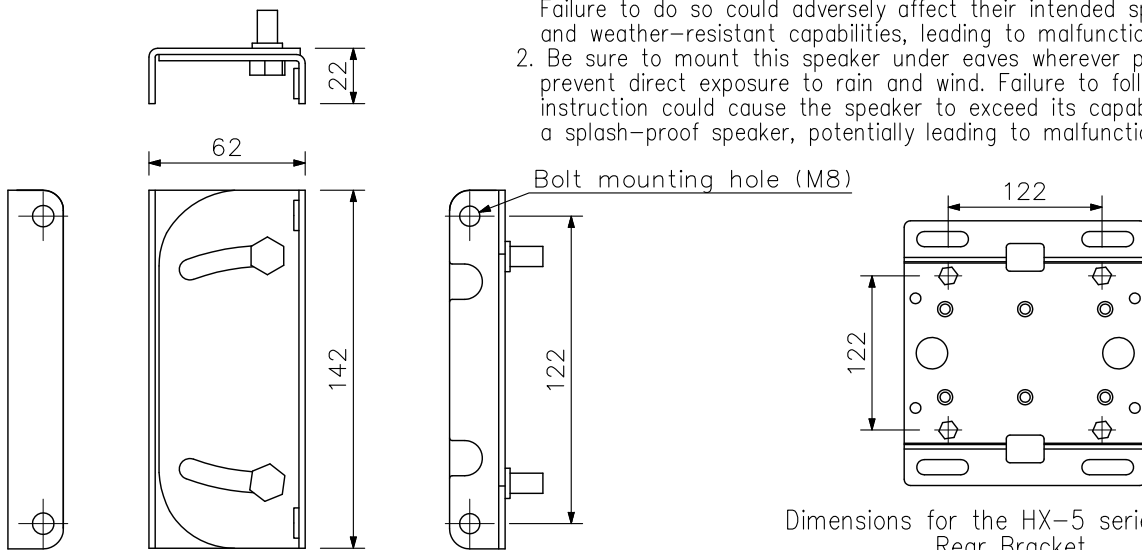
Installation Environment	Indoor installation, under-eave installation (*1)
Finish	Stainless steel (SUS304)
Dimensions	62 (W) × 142 (H) × 22 (D) mm
Weight	750 g
Accessory	Speaker mounting bolt (M8) with washer ×4
Product Composition	Speaker mounting bracket ×2

(\*1) Avoid installing the speaker in locations close to the seashore or in indoor swimming facilities that are not well ventilated. In such locations, the bracket may be vulnerable to corrosion, eventually allowing the speaker to fall resulting in personal injury.

### APPEARANCE

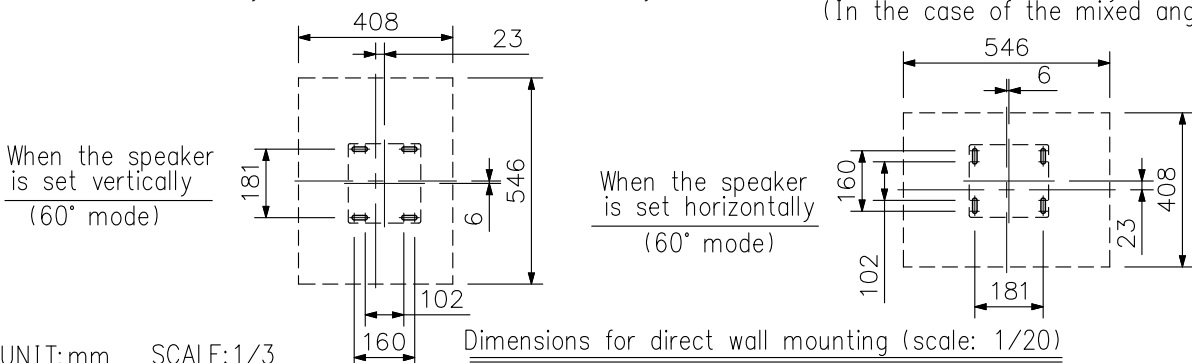
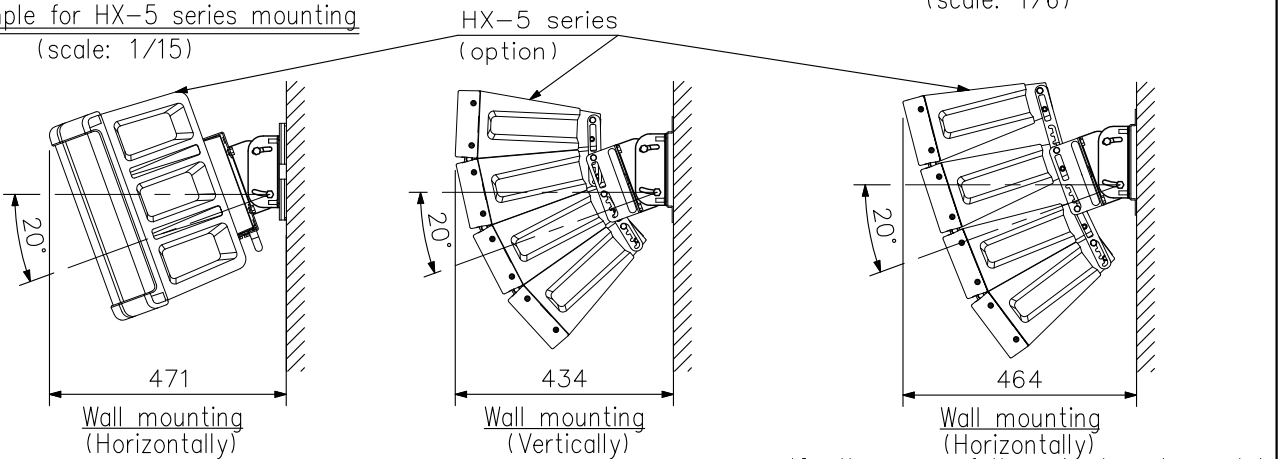
#### Notes:

1. All speaker modules must point downward from the horizontal. Failure to do so could adversely affect their intended splash-proof and weather-resistant capabilities, leading to malfunction.
2. Be sure to mount this speaker under eaves wherever possible to prevent direct exposure to rain and wind. Failure to follow this instruction could cause the speaker to exceed its capabilities as a splash-proof speaker, potentially leading to malfunction.



Dimensions for the HX-5 series (option)  
Rear Bracket  
(scale: 1/6)

Example for HX-5 series mounting  
(scale: 1/15)



UNIT:mm SCALE:1/3

Dimensions for direct wall mounting (scale: 1/20)