

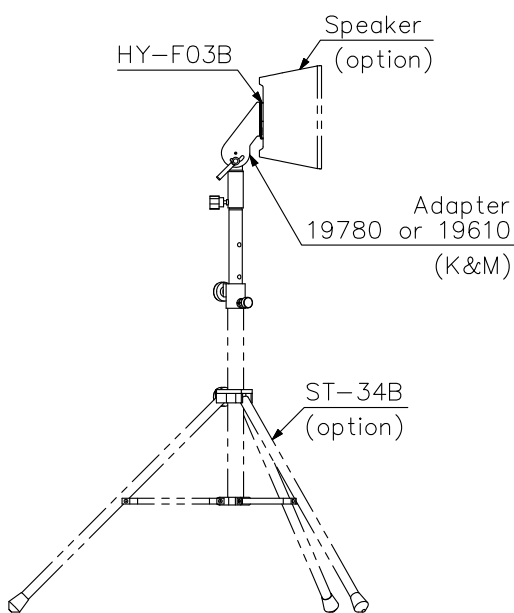
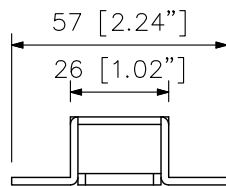
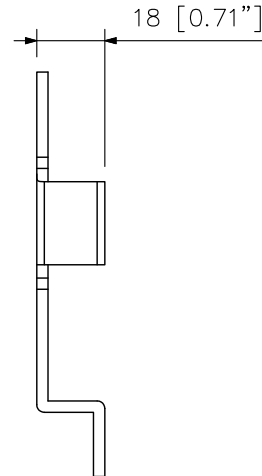
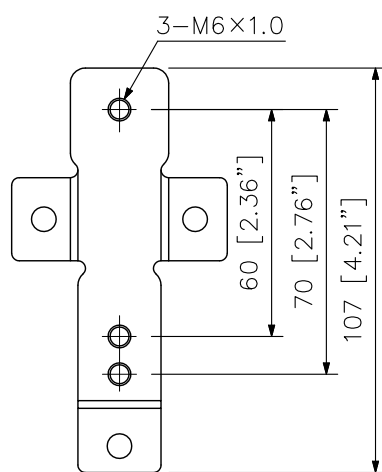
### DESCRIPTION

The HY-F03B is a mounting bracket accessory designed for installation of F-03 series speaker systems using optional mounting hardware.

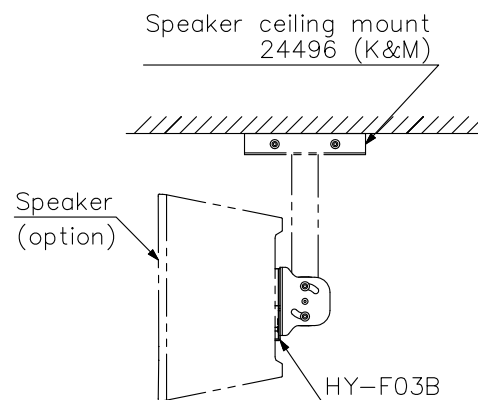
### SPECIFICATIONS

Applicable Speaker	F-03BT
Finish	Steel plate, black (RAL 9011 equivalent), paint
Dimensions	57 (W) × 107 (H) × 18 (D) mm (2.24" × 4.21" × 0.71")
Weight	90 g (0.2 lb)
Accessory	Speaker mounting bolt ×1 set

### APPEARANCE



Stand mounting example



Ceiling mount example

UNIT:mm SCALE:1/2

Note: K&M's 24359 Adapter panel is required for horizontal installation.

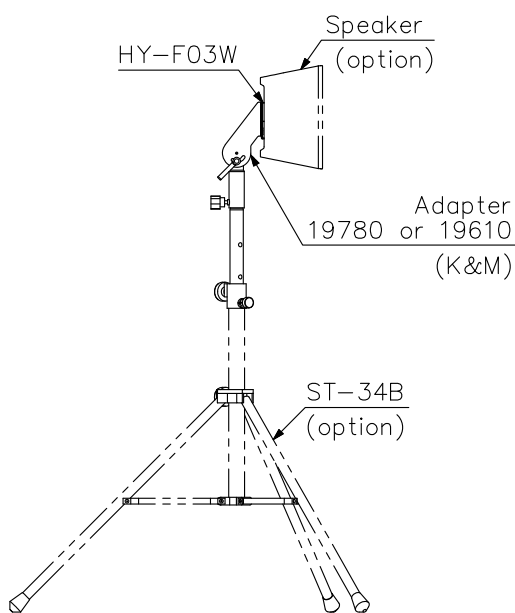
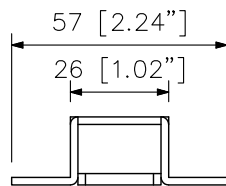
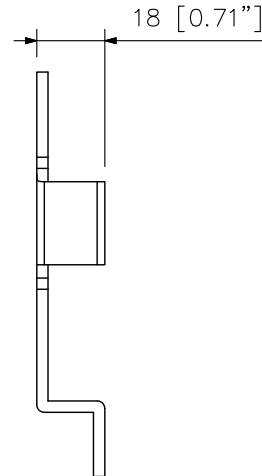
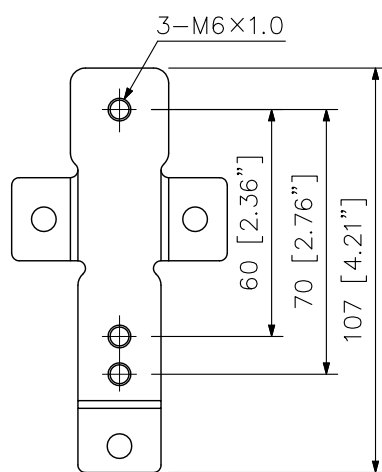
### DESCRIPTION

The HY-F03W is a mounting bracket accessory designed for installation of F-03 series speaker systems using optional mounting hardware.

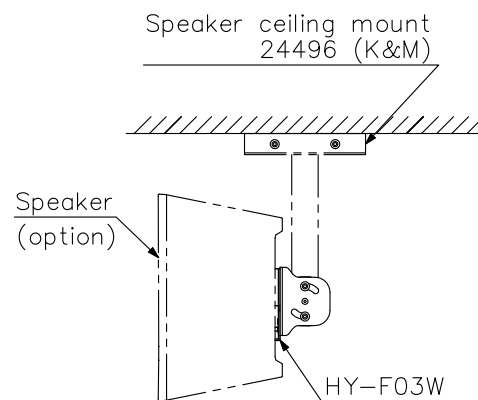
### SPECIFICATIONS

Applicable Speaker	F-03WT
Finish	Steel plate, white (RAL 9016 equivalent), paint
Dimensions	57 (W) × 107 (H) × 18 (D) mm (2.24" × 4.21" × 0.71")
Weight	90 g (0.2 lb)
Accessory	Speaker mounting bolt ×1 set

### APPEARANCE



Stand mounting example



Ceiling mount example

UNIT:mm SCALE:1/2

Note: K&M's 24359 Adapter panel is required for horizontal installation.