

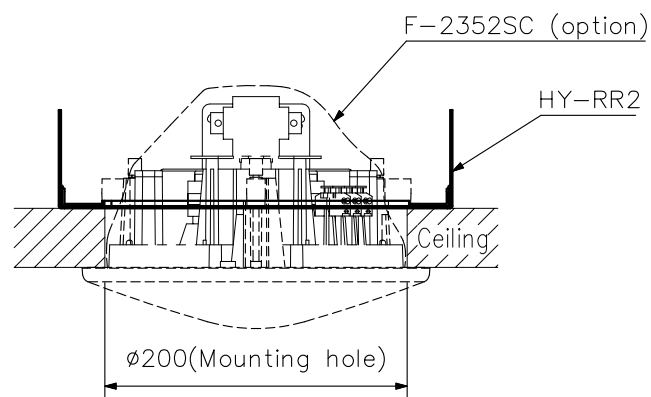
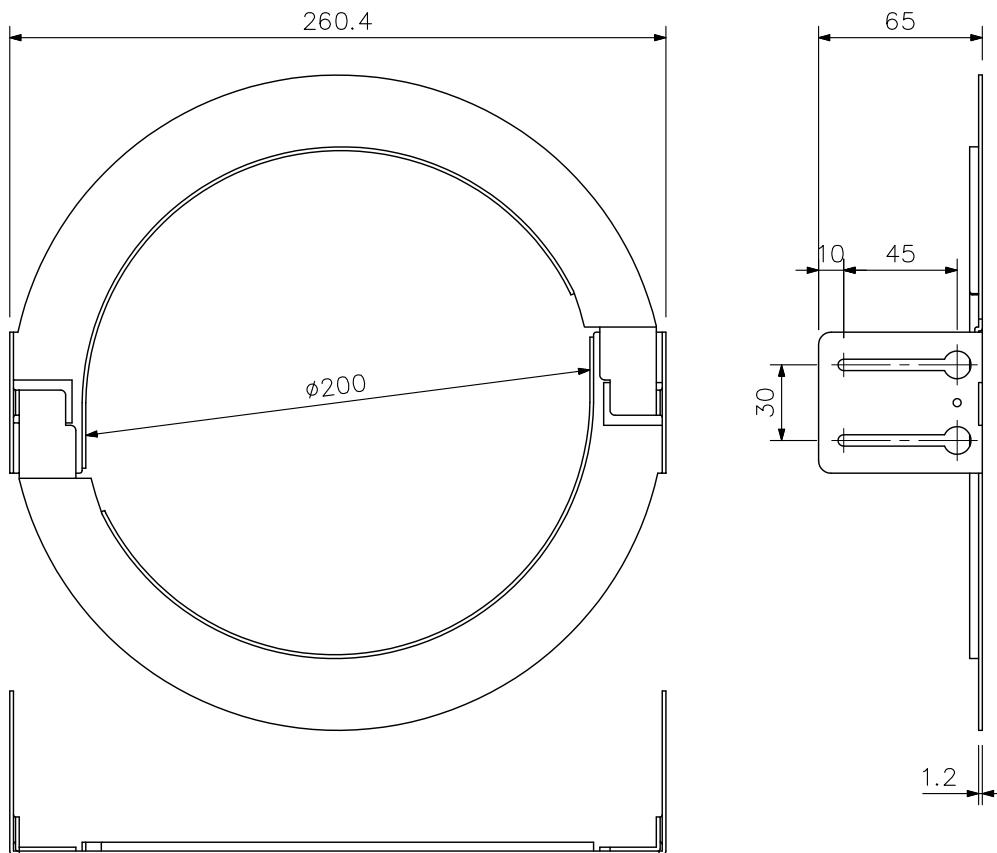
## DESCRIPTION

The HY-RR2 Reinforcement Ring is specially designed for use with the F-2352SC Ceiling Speaker System, enabling the F-2352SC installation to a weak ceiling. It also permits the F-2352SC to be installed to a wide range of locations in versatile mounting methods using in conjunction with the HY-TB1 Tile Bar Bridge, HY-TR1 Trim Ring, or HY-AH1 Anchor Hanging Bracket.

## SPECIFICATIONS

Ceiling Hole Diameter	ø200 mm
Finish	Surface-treated steel plate
Weight	280 g

## APPEARANCE



Mounting example (SCALE: 1/5)

UNIT:mm SCALE:1/3