

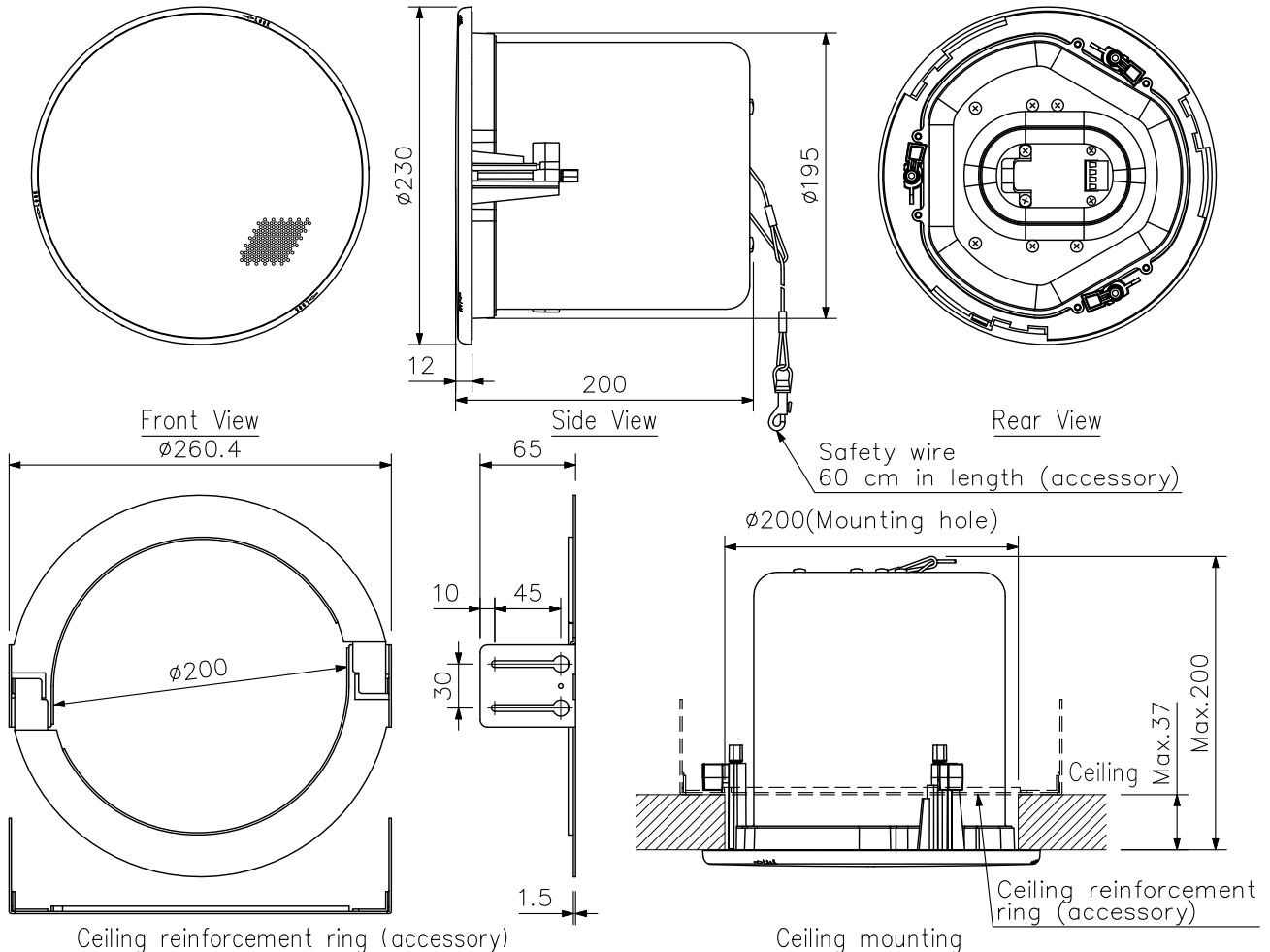
DESCRIPTION

The F-2322C ceiling-mounted speaker covers an extremely wide area and can be used for 25, 70 and 100 V line applications. Well-balanced sound can be heard uniformly at any location.

SPECIFICATIONS

Enclosure	Bass reflex type
Rated Input	30 W (High Impedance)
Power Handling Capacity	Continuous pink noise: 60 W (8 Ω) Continuous program: 120 W (8 Ω)
Impedance	100 V line: 330 Ω (30 W), 1 kΩ (10 W), 3.3 kΩ (3 W), 10 kΩ (1 W) 70 V line: 170 Ω (30 W), 330 Ω (15 W), 1 kΩ (5 W), 3.3 kΩ (1.5 W), 10 kΩ (0.5 W) 25 V line: 170 Ω (3.7 W), 330 Ω (1.9 W), 1 kΩ (0.6 W), 3.3 kΩ (0.2 W), 10 kΩ (0.06 W) 8 Ω
Sensitivity	90 dB (1 W, 1 m)
Frequency Response	70 Hz – 20 kHz (–10 dB), 50 Hz – 20 kHz (–20 dB) at installation in 1/2 free sound field (Measured by installing the unit in the center of a ceiling.)
Speaker Component	12 cm cone-type
Mounting Hole	∅200 mm (Maximum ceiling thickness: 37 mm)
Input Terminal	Removable locking connector with screw-down terminals (2 input terminals and 2 bridge terminals)
Usable Cable	Solid copper wire: ∅0.5 – ∅1.6 mm (equivalent to AWG No. 24 – 14) Stranded copper wire: 0.2 – 2.5 mm ² (equivalent to AWG No. 24 – 14)
Finish	Enclosure: Steel plate, plating Baffle: Fire-resistant ABS resin (resin material grade: UL-94 V-0), black Rim: Fire-resistant ABS resin (resin material grade: UL-94 V-0), white, paint Punched net: Steel plate, white, paint
Dimensions	∅230 × 200 (D) mm
Weight	3.7 kg (including mounting accessories)
Accessory	Panel1, Ceiling reinforcement ring1, Safety wire1, Paper pattern ...1
Option	Anchor hanging bracket: HY-AH1, Back can: HY-BC1, Tile bar bridge: HY-TB1, Trim ring: HY-TR1

APPEARANCE



UNIT: mm SCALE: 1/5