

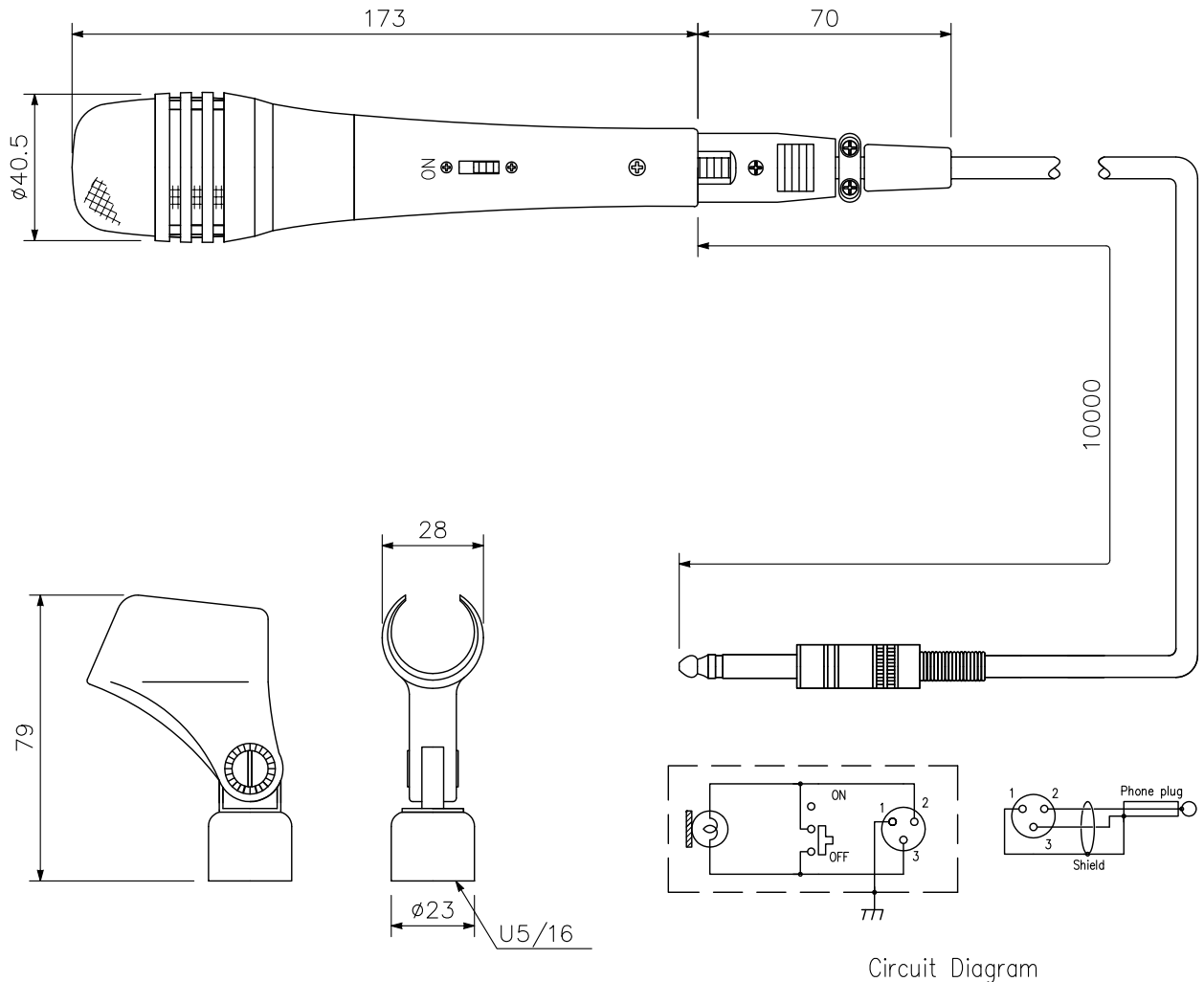
DESCRIPTION

The DM-1500 is designed for both voice and speech applications.

SPECIFICATIONS

Type	Moving coil microphone
Directivity	Unidirectional
Rated Impedance	600 Ω, balanced
Rated Sensitivity	-56 dB (1 kHz 0 dB=1 V/Pa)
Frequency Response	70 Hz - 15 kHz
Connection Cables	2-core shielded cable, unbalanced
Cable Length	10 m
Terminal of Cable	Phone plug
Talk Switch	Short-off, slide switch
Finish	Body : Die-cast zinc, metallic gold Head : Brass/zinc-plated steel wire, metallic gold
Dimensions	∅40.5 X 6.81 mm
Weight	280 g (without connection cable)
Accessory	Microphone holder (U5/16)

APPEARANCE



UNIT:mm SCALE:1/2