



DIGITAL WIRELESS TRANSMITTER

WM-D5300

(-A2/-C4/-C7/-G1/-H1)

DESCRIPTION

The WM-D5300 Digital wireless transmitter has been manufactured for use with a UHF system. It is for use in speech reinforcement applications. This wireless transmitter employs a digital transmission system that is effectively immune to interference. Further, not only does TOA's unique information concealment technology (Encryption Setting function) ensure high confidentiality and security against eavesdropping, but their code setting and transmission output selection functions ensure that this transmitter is also compatible with a wide range of operating conditions, such as use of the same transmission channel between adjacent areas.

SPECIFICATIONS

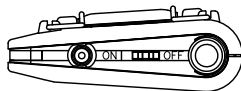
| | | | | |
|--------------------------|---|---|---------------|---------------|
| Version | -C4,-C7 | -A2 | -G1 | -H1 |
| Frequency Range | 798 - 832 MHz | 694 - 703 MHz | 606 - 636 MHz | 576 - 606 MHz |
| Modulation type | FSK | | | |
| Channel Selectable | 160 channels (The number of channels may differ from country to country.) | | | |
| RF Carrier Power | Less than 50 mW | | | |
| Maximum Input Level | -18 dB (*1) (Sensitivity: L)/-28 dB (*1) (Sensitivity: H) | | | |
| Audio Frequency Response | 100 Hz - 12 kHz | | | |
| Antenna | Lambda/4 whip antenna | | | |
| ID Selectable | 10 patterns | | | |
| Battery | WB-2000 (*2) rechargeable battery (option) or AA Alkaline dry cell battery | | | |
| Battery Life | Approx. 8 hours | | | |
| Operating Temperature | -10 °C to +50 °C (14 °F to 122 °F) (except battery) | | | |
| Operating Humidity | 30 % to 85 %RH (no condensation) | | | |
| Finish | Body: ABS resin, black, paint | | | |
| Dimensions | 62 (W) × 171 (H) × 19 (D) mm (2.44" × 6.73" × 0.75") | 62 (W) × 185 (H) × 19 (D) mm (2.44" × 7.28" × 0.75") | | |
| Weight | 90 g (0.2 lb) (with battery) | | | |
| Accessory | Storage case ...1, Screw driver (for setting) ...1 | | | |
| Option | Battery charger: BC-2000 (*2) Ni-MH battery: WB-2000-2 (*2) (containing 2 pieces) Unidirectional lavalier microphone: YP-M5300 Omnidirectional lavalier microphone: YP-M5310 Headset microphone: WH-4000A, WH-4000H | | | |

(*1) 0 dB = 1 V

(*2) Cannot be used in the U.S.A. and Canada.

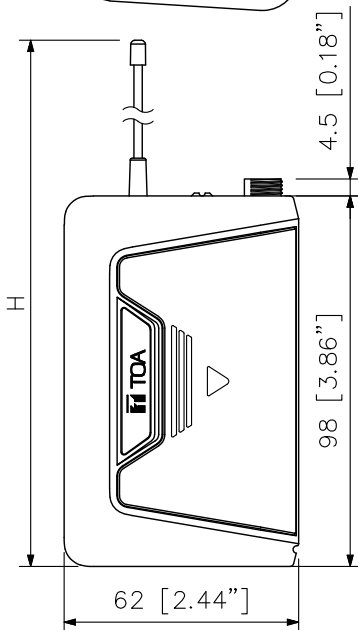
Notes: The WM-D5300 cannot communicate with the TRANTEC Wireless System (S4 and S5 Series).
The WM-D5300 cannot communicate with the TOA Analog Wireless System (WT-5800, WT-5805, and WT-5810 etc.).

APPEARANCE

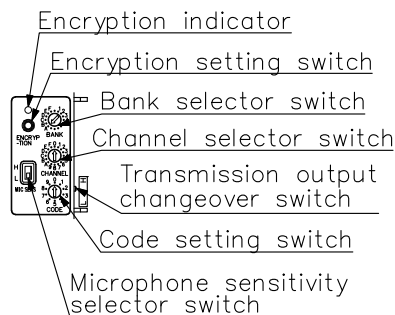


Height

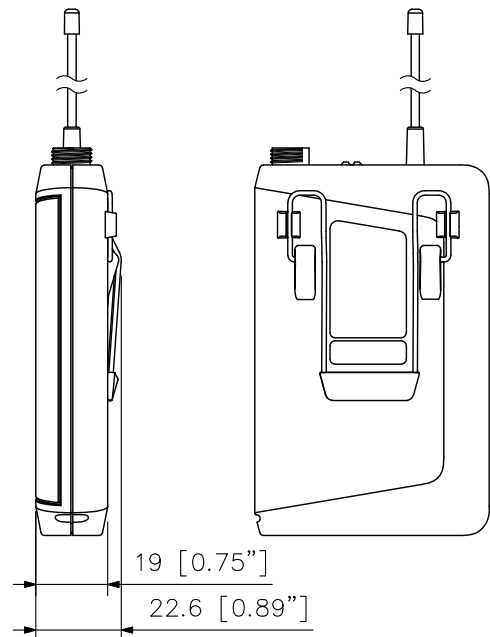
| Version | H (mm) |
|-------------|-------------|
| -C4,-C7 | 171 [6.73"] |
| -A2,-G1,-H1 | 185 [7.28"] |



Front View



Inside of a battery cover



Side View

Rear View

UNIT:mm SCALE:1/2