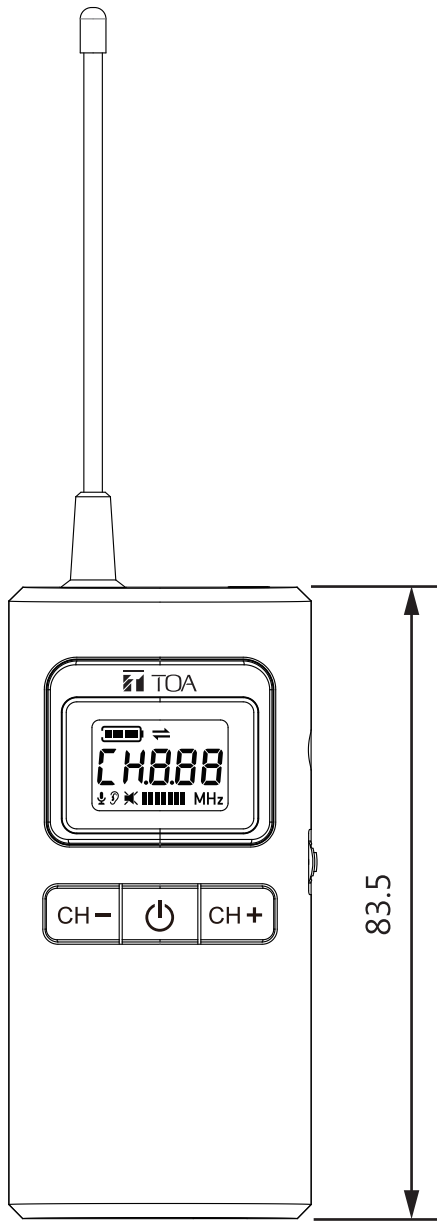


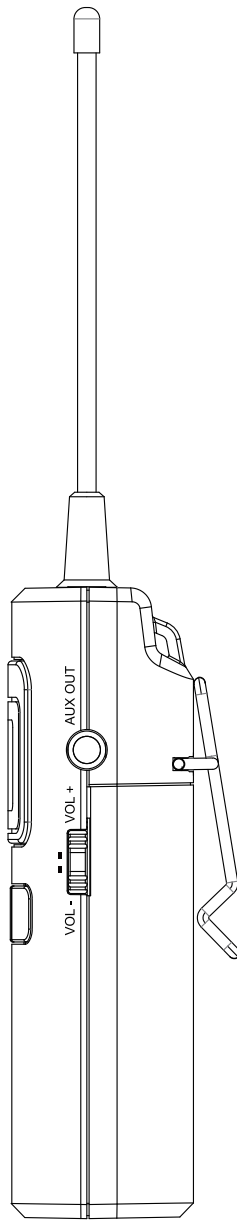
## ■ SPECIFICATIONS

Frequency	510-530MHz
Modulation	GFSK
Audio sampling	8KHz 16bit
Latency	35ms
Frequency response	65Hz-3.8kHz
Dynamic range	> 80 dB
Signal to Noise	> 60 dB
THD at 1KHz	< 5.2%
Service coverage	Indoor: 100m / Outdoor: >150m
Operating temperature	-10 ~ 50°C
RF output power	10 mW
Receiver sensitivity	-88 dBm
3.5mm phone jack	Earphone output x 1 (32Ω) / Aux out x 1 (0Ω)
Microphone source	Built-in
Front + & - buttons	Channel selector
Power button	Power on / off
Side Momentary 3way tact switch	+ : Volume up
	Center push : Push to talk
	- : Volume down
Battery	Ni-MH type "AA" 1.2V x 1 / Alkaline "AA" 1.5V x 1
Battery life (approx.) w/ 2600mAh battery	14 hr The data has been measured using 1x AA NiMH 2600mAh rechargeable battery.
Charging source	DC 5V Micro USB
Charging time	Depends on battery type and capacity
Charging current	255 ± 10 mA
LCD display	Channel, Battery indicator, Volume 2-way communication indicator, Signal Strength
Antenna	Whip/Helical
Regulatory compliance	CE FCC
Dimension	40(W) × 24.6(D) × 83.5(H)mm , Antenna length not included
Weight	38.6 g (batteries not included)
Color	Silver frame
Accessories	EP-01 Ear phone ... 1 , BC-01 Belt clip ... 1 , LY-01R Lanyard(Red) ... 1 , MUA-11 Universal USB adapter ... 1 , USBY-01 USB cable ... 1

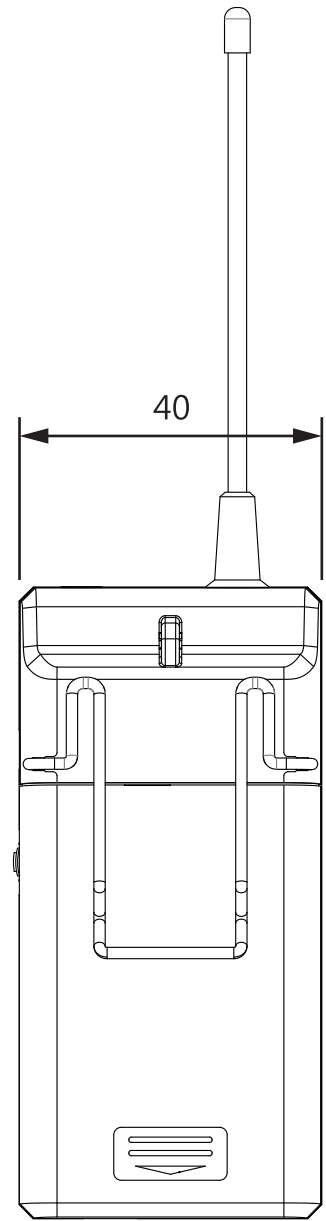
■ APPEARANCE



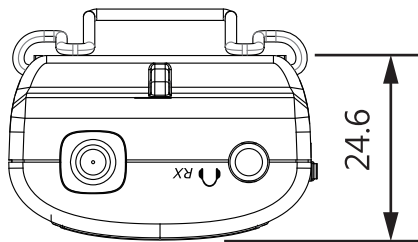
Front view



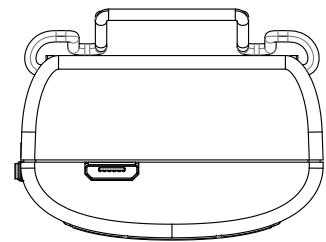
Side view



Rear view



Top view



Bottom view

UNIT: mm SCALE: 1/1