

DESCRIPTION

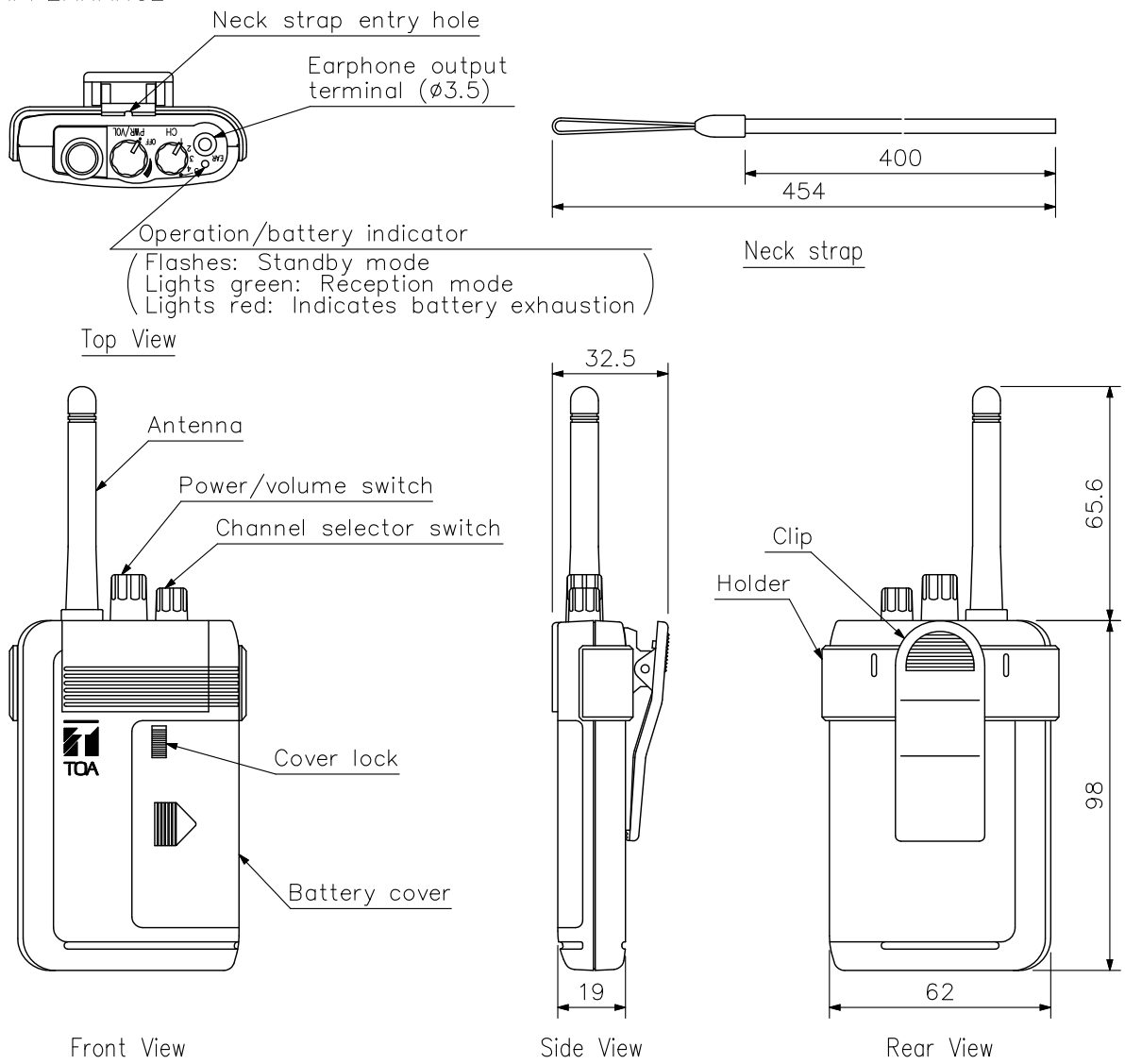
TOA's WT-2100 is a Portable Receiver designed to receive 470 MHz band radio signals. An optional earphone (not supplied with the unit) is required.

SPECIFICATIONS

|                       |  |
|-----------------------|--|
| Power Source          | 1.5 V DC (Battery)   |
| Receiving Frequencies | 470 MHz band (5 ch) (470.075, 470.150, 470.375, 470.625, 470.725 MHz)  |
| Receiving System      | Double super-heterodyne  |
| Receiving Sensitivity | 25 dB or more, Signal to Noise ratio (7 dB $\mu$ VEMF input, $\pm$ 1.7 kHz deviation)  |
| Frequency Response    | 200 Hz - 5 kHz (Portable transmitter $\rightarrow$ Potable receiver)<br>150 Hz - 6 kHz (Desk-top transmitter $\rightarrow$ Potable receiver) |
| De-emphasis           | 50 $\mu$ s   |
| Output Level          | 4 mW (16 $\Omega$ load, 10 % distortion)   |
| Battery Life          | 18 hours (alkaline)  |
| Battery               | LR6 (1.5 V) $\times$ 1   |
| Operation Temperature | -10 $^{\circ}$ C to +40 $^{\circ}$ C   |
| Finish                | Resin, dark silver   |
| Dimensions            | 62 (W) $\times$ 163.6 (H) $\times$ 32.5 (D) mm   |
| Weight                | 112 g (battery included)   |
| Accessory             | Neck strap.....1   |

- \* Optional earphone YP-E401 Ear-suspension ear phone.
- \* When using an earphone not made by TOA, use a one with a 3.5 mm-diameter plug and impedance of over 16  $\Omega$ .

APPEARANCE



UNIT:mm SCALE:1/2