

DESCRIPTION

TOA's WM-2100 is a Portable Transmitter designed to use 470 MHz band radio signals. An optional microphone (not supplied with the unit) is required.

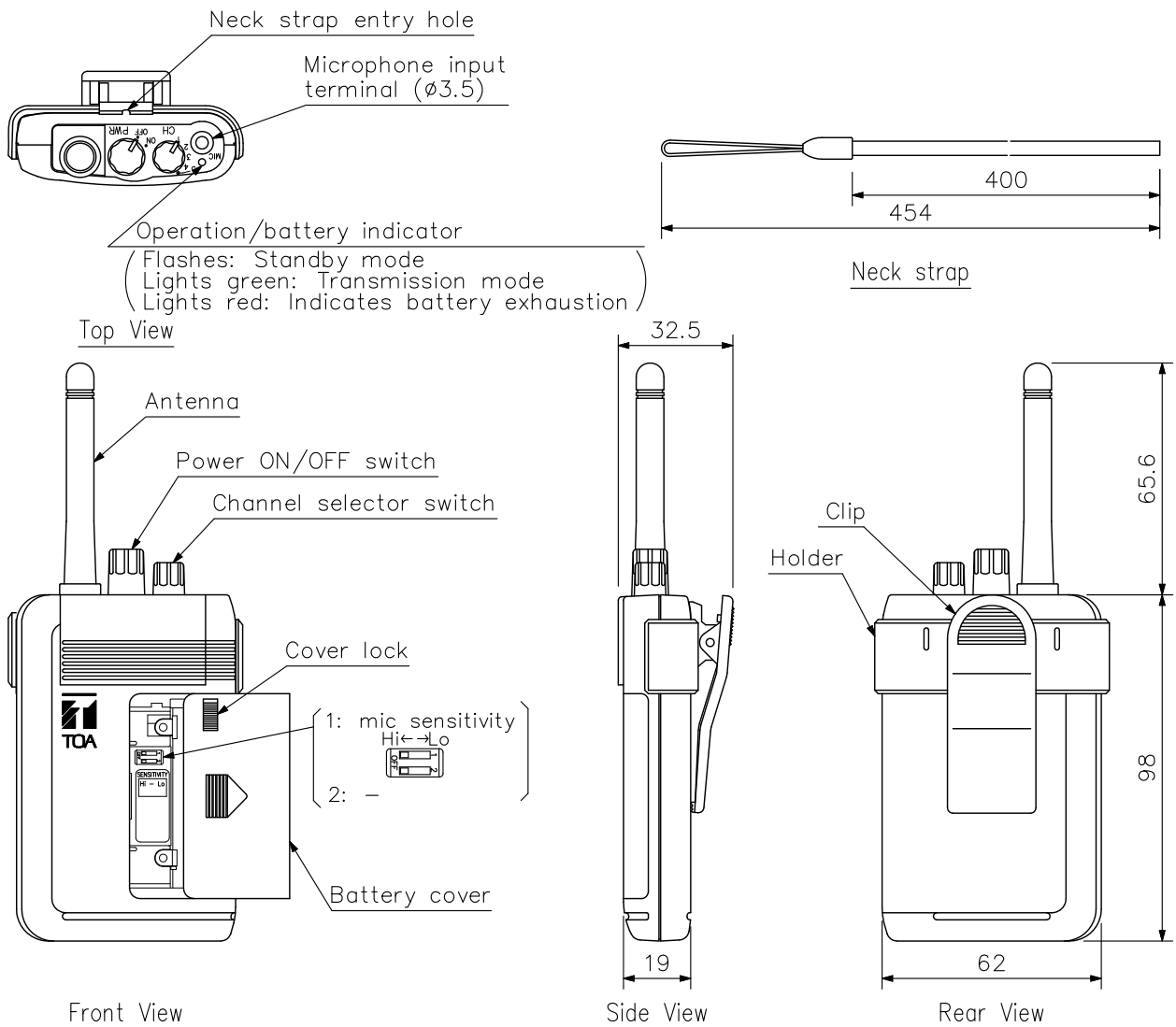
SPECIFICATIONS

* 0 dB = 0.775 V

| | |
|--------------------------|---|
| Power Source | 1.5 V DC (Battery) |
| Modulation | Frequency modulation |
| Transmitting Frequencies | 470 MHz band (5 ch) (470.075, 470.150, 470.375, 470.625, 470.725 MHz) |
| RF Carrier Power | 2 mW |
| Oscillator | PLL synthesizer |
| Frequency Response | 200 Hz - 5 kHz (Portable transmitter → Potable receiver) |
| Pre-emphasis | 50 μs |
| Input Level | -50 dB* (sensitivity Hi)/-44 dB* (sensitivity Lo) |
| Battery Life | 18 hours (alkaline) |
| Battery | LR6 (1.5 V) × 1 |
| Operation Temperature | -10 °C to +40 °C |
| Finish | Resin, dark gray |
| Dimensions | 62 (W) × 163.6 (H) × 32.5 (D) mm |
| Weight | 115 g (battery included) |
| Accessory | Neck strap.....1 |

* Three optional microphone are made available for selection
 YP-M101: tie-clip microphone
 YP-M201: close-talking microphone
 YP-M301: headset microphone

APPEARANCE



UNIT:mm SCALE:1/2