

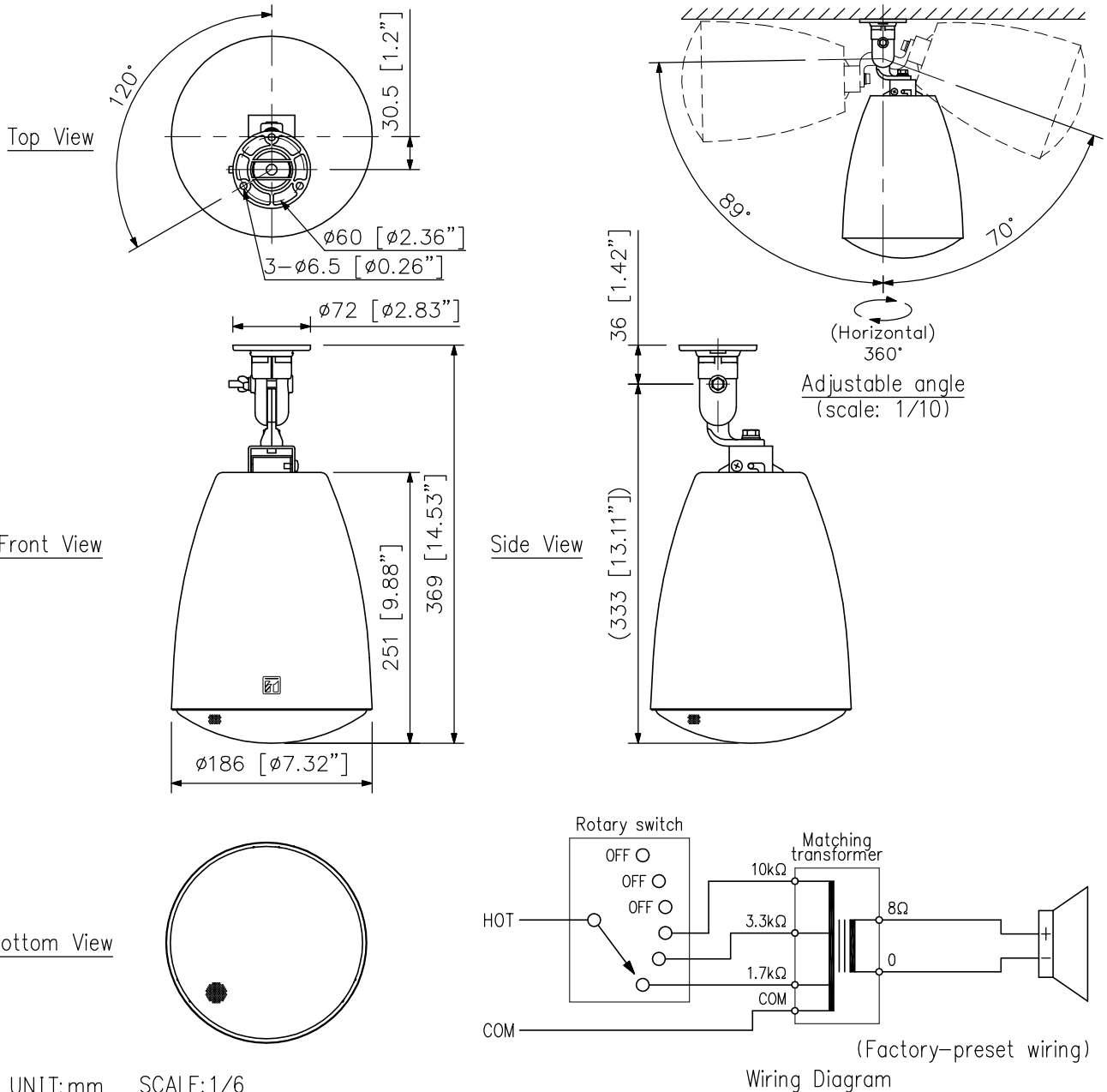
DESCRIPTION

The PJ-64 is a projection speaker designed for ceiling and wall installations. Considered in architectural design, it can blend in with lighting equipment. The supplied swivel bracket allows for flexible speaker angle adjustment. The PJ-64 is driven on high-impedance (100 V and 70 V) line. The input power (impedance) can be easily changed at the upper side of the speaker. The speaker is easy to repaint so as to meet a wide range of design needs.

SPECIFICATIONS

Enclosure	Bass-reflex type
Rated Input	6 W (100 V line), 3 W (70 V line)
Rated Impedance	100 V line: 1.7 k Ω (6 W), 3.3 k Ω (3 W), 10 k Ω (1 W) 70 V line: 1.7 k Ω (3 W), 3.3 k Ω (1.5 W), 10 k Ω (0.5 W)
Sensitivity	90 dB (1 W, 1 m) (500 - 5,000 Hz, pink noise)
Frequency Response	100 - 18,000 Hz (peak -20 dB)
Speaker Component	12 cm (5") cone-type
Speaker Cord	2-core cabtyre cord 60 cm (1.97 ft) with diameter of 6 mm (0.24")
Finish	Enclosure: HIPS resin, off-white (RAL 9010 or equivalent color) Grille: Surface-treated steel plate net, off-white (RAL 9010 or equivalent color), paint
Dimensions	$\phi 186 \times 369$ (H) mm ($\phi 7.32" \times 14.53"$)
Weight	1.5 kg (3.31 lb) (unit only)
Accessory	Swivel bracket $\times 1$, Speaker mounting screw (4 \times 16) $\times 3$

APPEARANCE



UNIT:mm SCALE:1/6